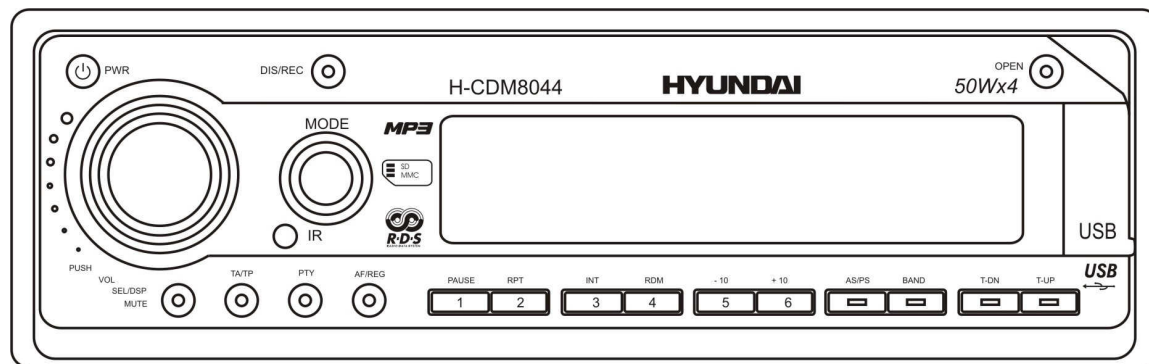
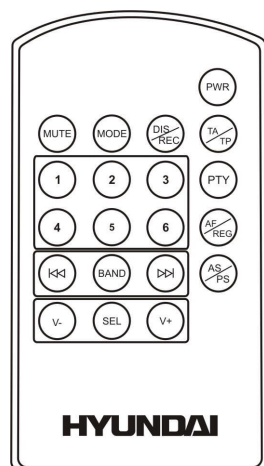


EXCELLENCE

by **HYUNDAI**

H-CDM8044



CD/MP3/WMA RECORDER
Instruction manual

CD/MP3/WMA РЕКОРДЕР
Руководство по эксплуатации

Dear customer!

Thank you for purchasing our product. For safety, it is strongly recommended to read this manual carefully before connecting, operating and/or adjusting the product and keep the manual for reference in the future.

Table of contents

Table of contents	2
Important safeguards	3
Installation/ connection.....	4
Panel controls	8
General operation	15
Digital tuner	18
CD/ SD/ MMC/ USB operations.....	21
File managing	25
MP3 overview	27
Anti-theft system	28
Handling discs	29
Cleaning	29
Troubleshooting guide	30
Specification.....	31

Important safeguards

Using the device at temperature below -10°C may cause the breakage of the device. **BEFORE USING PLEASE HEAT UP THE PASSENGER COMPARTMENT TO THE RECOMMENDED TEMPERATURE!**

Read carefully through this manual to familiarize yourself with this high-quality sound system.

Disconnect the vehicle's negative battery terminal while mounting and connecting the unit.

When replacing the fuse, be sure to use one with an identical amperage rating. Using a fuse with a higher amperage rating may cause serious damage to the unit.

DO NOT attempt to disassemble the unit. Laser beams from the optical pickup are dangerous to the eyes.

Make sure that pins or other foreign objects do not get inside the unit; they may cause malfunctions, or create safety hazards such as electrical shock or laser beam exposure.

If you have parked the car for a long time in hot or cold weather, wait until the temperature in the car becomes normal before operating the unit.

DO NOT open covers and do not repair yourself. Consult the dealer or an experienced technician for help.

Make sure you disconnect the power supply and aerial if you will not be using the system for a long period or during a thunderstorm.

Make sure you disconnect the power supply if the system appears to be working incorrectly, is making an unusual sound, has a strange smell, has smoke emitting from it or liquids have got inside it. Have a qualified technician check the system.

The unit is designed for negative terminal of the battery, which is connected to the vehicle metal. Please confirm it before installation.

Do not allow the speaker wires to be shorted together when the unit is switched on. Otherwise it may overload or burn out the power amplifier.

Do not install the detachable panel before connecting the wire.

Installation/ connection

Attention:

REMOVE THE TRANSPORT CD STOPPER (2 SCREWS)
BEFORE USE.

Din front-mount (method 1)

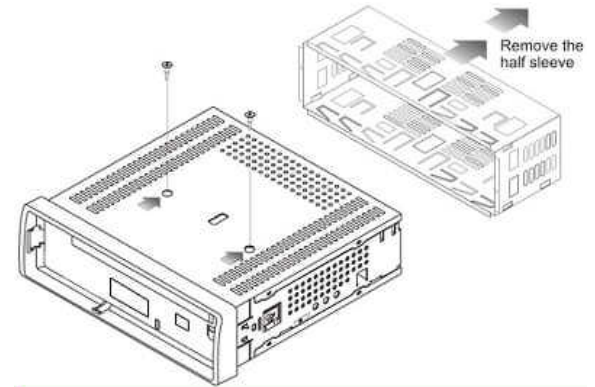
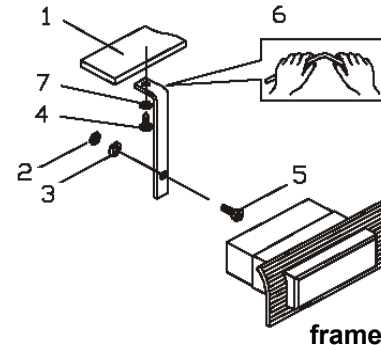
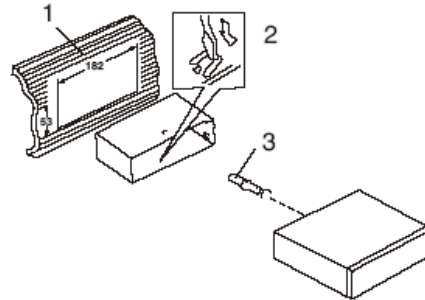
After inserting the holder into the dashboard, select the appropriate tab and bend them inwards to secure the holder in place.

Insert fingers into the groove in the front of frame and remove it.

Insert the levers supplied with the unit to the grooves at both sides.

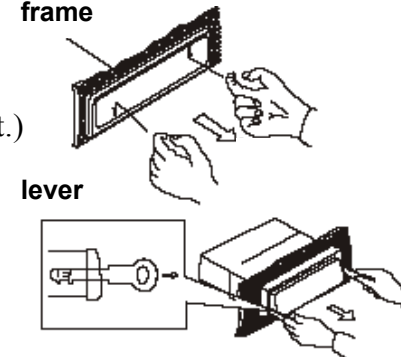
The unit can be installed or removed from the dashboard.

1. Dashboard
2. Nut (5mm)
3. Spring washer
4. Screw (5 x 25mm)
5. Screw
6. Strap
7. Plain washer



Removing the unit

Insert fingers into the groove in the front of frame and pull out to remove the frame.
(When reattaching the frame, point the side with a groove down wards and attach it.)
Insert the levers supplied with the unit into the grooves at both sides of the unit as shown in figure until they click. Pulling the levers makes it possible to remove the unit from the dashboard.



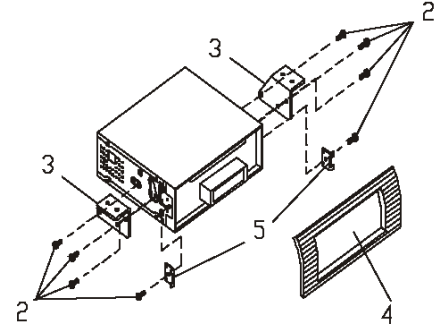
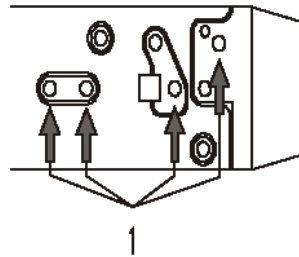
Din rear-mount (method 2)

Installation using the screw holes at both sides of the unit.

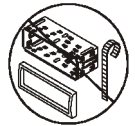
1. Select a position where the screw holes of the main unit are fitted for aligned, and tighten the screws at 2 positions at each sides.

Use either truss screws (5 x 8mm) or flush surface screws (4 x 8mm), depending on the shape of the screw holes in the bracket.

2. Screw.
3. Factory radio mounting bracket.
4. Dashboard or Console.
5. Hook (Remove this parts).



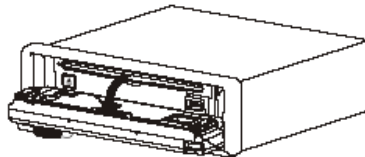
Note: The mounting box, outer trim ring, and the half-sleeve are not used for this method of installation.



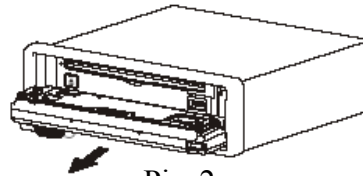
Detachable control panel

Detaching the front panel

1. Press the OPEN button on the front panel. The panel will go down (pic. 1).
2. Push the panel to the left and then pull it towards you (pic. 2).



Pic. 1



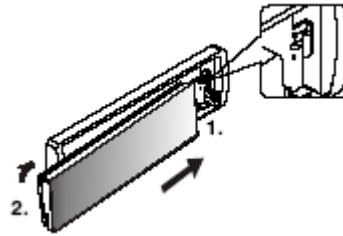
Pic. 2

Attaching the control panel

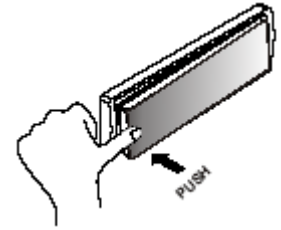
1. Insert the right side of the control panel into the main unit (pic. 3).

Note: the control panel must be attached into the T-Joint.

2. Press the control panel on to the left side of middle of it until a “click” sound is heard (pic. 4).



Pic. 3



Pic. 4

Caution:

DO NOT insert the control panel from the left side. It can damage the control panel.

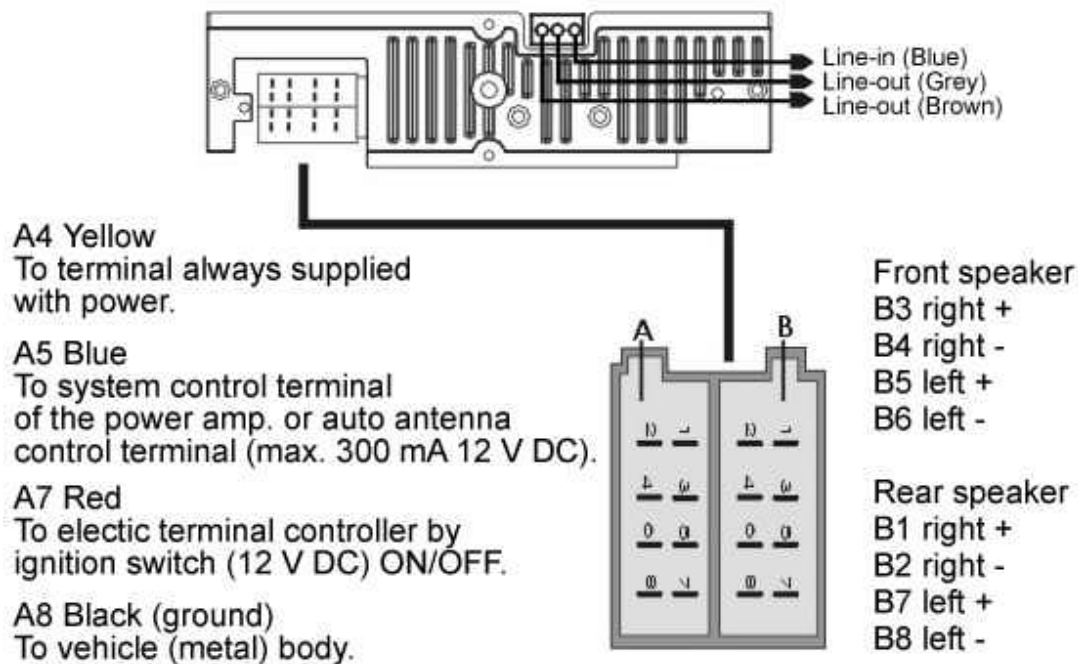
The control panel can easily be damaged by shocks. After removing it, place it in a protective case and be careful not to drop it or subject it to strong shocks.

The rear connector that connects the main unit and the control panel is an extremely important part. Be careful not to damage it by pressing on it with fingernails, pens, screwdrivers, etc.

Note:

If the control panel is dirty, wipe off the dirt with soft, dry cloth only. And use a cotton swab soaked in isopropyl alcohol to clean the socket on the back of the control panel.

Electrical connection

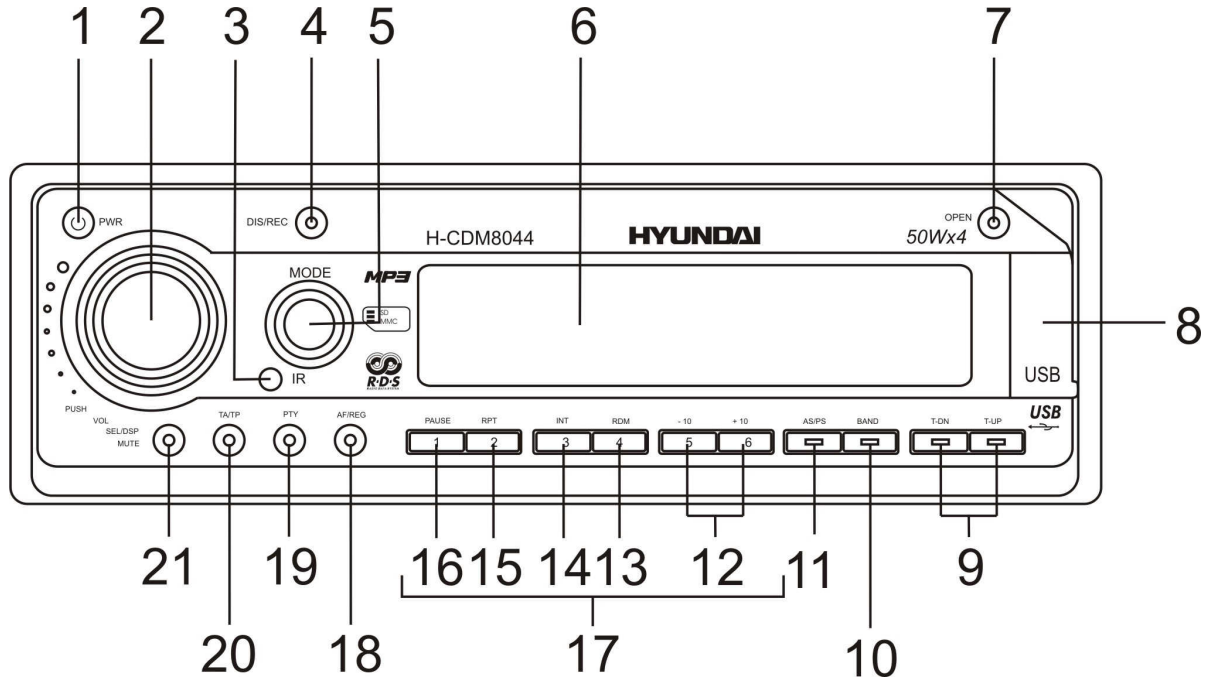


Caution: Do not interchange the connection of the wiring!!!

For some car models you may need to modify wiring of the supplied power cord. Contact your authorized car dealer before installing this unit.

Panel controls

Front panel



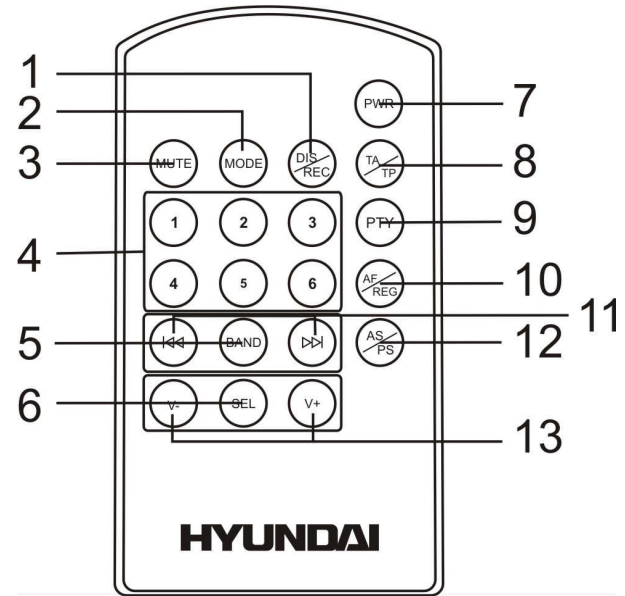
1. PWR button
Press PWR button to turn the power on, press again to turn the power off.
2. VOL knob/ SEL button
Rotate VOL knob clockwise to increase the volume level; rotate anticlockwise to decrease the volume level.
Press SEL button once to enter the Audio select menu. Press it repeatedly to select the modes:
VOLUME => BASS => TREBLE => BALANCE => FADER.
Press the SEL button and hold for 2 seconds to enter the Adjustments menu. Press it repeatedly to select the modes: DSP => IN VOL => STEREO => LOC => LOUD => CT => TA VOL => EON => PTY.

3. IR sensor
4. DIS/REC button
Press shortly to display current mode and time. Press and hold for 2 seconds to enter the Record function.
5. MODE button
Press to select the mode: TUNER => CD => SD/MMC => USB => AUX.
6. LCD (LIQUID CRYSTAL DISPLAY)
7. OPEN button
Press it to flip down the front panel to insert or eject the disc.
8. USB socket
9. T-UP/ T-DN buttons
Use these buttons to enter the manual tuning mode/ seek tuning mode.
10. BAND button
Press it repeatedly to select your desired radio band during TUNER mode.
Function of ENTER button: press it to activate the Search function, start playing after the search, start/ stop recording, accept deleting the music files.
11. AS/ PS button
Press it to scan the preset memorized stations/ to store the programs with the best reception into preset buttons automatically/ select the Search function.
12. +10/ -10 buttons
Use these buttons to go the 10 tracks up/ down.
13. RDM button
Press to start the random playback.
14. INT button
Press it to start intro playing (10 seconds).
15. RPT button
Use this button to play current track repeatedly.

16. PAUSE button
Use this button to pause playback. Under the pause status, press it to play.
17. PRESET STATION [1-6] buttons
18. AF/REG button
Press it to enter the AF mode. Press and hold for 2 seconds to enter the REG mode.
19. PTY button
Press it to activate the PTY function.
20. TA/TP button
Press it to activate the TA function.
21. MUTE button
Press it to cut down the volume output, press it again to resume volume.

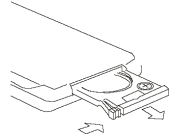
Remote control

1. DIS/REC button
Press shortly to display current mode and time. Press and hold for 2 seconds to enter the Record function.
2. MODE button
Press to select the mode: TUNER => CD => SD/MMC => USB => AUX.
3. MUTE button
Press it to cut down the volume output, press it again to resume volume.
4. PRESET STATION [1-6] buttons;
1 button: PAUSE button;
2 button: RPT button;
3 button: INT button;
4 button: RDM button;
5, 6 buttons: +/-10 buttons.
5. BAND button
Press it repeatedly to select your desired radio band during TUNER mode.
6. SEL button
Press SEL button once to enter the Audio select menu. Press it repeatedly to select the modes: VOLUME => BASS => TREBLE => BALANCE => FADER.
7. PWR button
Press PWR button to turn the power on, press again to turn the power off.

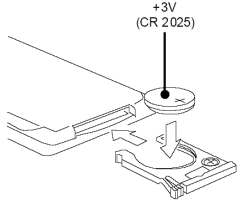


8. TA/TP button
Press it to activate the TA function.
9. PTY button
Press it to activate the PTY function.
10. AF/REG button
Press it to enter the AF mode. Press and hold for 2 seconds to enter the REG mode.
11. ◀◀/ ▶▶ buttons
Press to go to the previous/ next track.
12. AS/ PS button
Press it to scan the preset memorized stations/ to store the programs with the best reception into preset buttons automatically/ select the Search function.
13. V +/- buttons
Press these buttons to regulate the volume level.

Changing the battery



1. Press the catch and at the same time pull out the battery tray.



2. Insert the 1 x lithium battery, type CR 2025 3V battery with the stamped (+) mark facing upward. Insert the battery tray into the remote control.

Warning: Store the battery where children cannot reach. If a child accidentally swallows the battery, consult a doctor immediately.

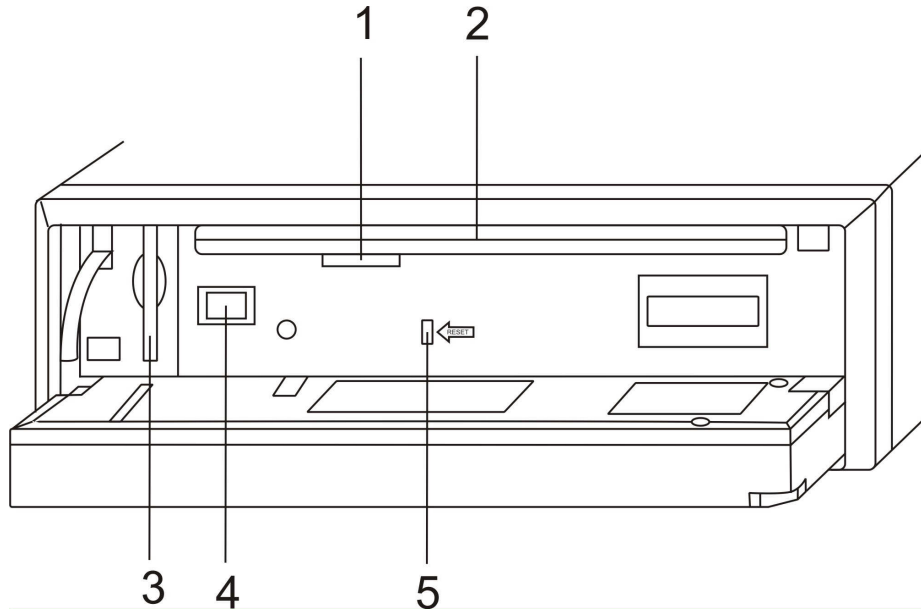
Do not recharge, short, disassemble or heat the battery or dispose it in a fire.

Do not expose or bring into contact the battery with other metallic materials. Doing this may cause the battery to give off heat, crack or start a fire.

When throwing away or saving the battery, wrap it in tape and insulate; otherwise, the battery may give off heat, crack or start a fire.

Back of the front panel

Press the OPEN button on the front panel to flip it down.



1. Panel status indicator;
2. Disc slot;
3. SD CARD socket;
4. EJECT button;
5. RESET button.

Note: Pressing the RESET button will erase the clock setting and stored stations.

Panel status indicator lights up when you slide the panel down; flashes when you remove the panel.

General operation

Reset the unit

Operating the unit for the first time or after replacing the car battery, you must reset the unit.

Press OPEN button on the panel to open the panel and press the RESET button to restore the unit to the original factory settings.

Power button

Press PWR button to turn the unit on.

Press it to switch the unit off.

Note: After the unit is off, the volume level and radio current settings will be memorized, and when you turn the unit on it will resume the stored status which you set.

Volume control

Volume adjust

Rotate the VOL knob on the panel or press the V +/- on the RC to adjust the volume level.

Setting the sound characteristics

Press shortly and repeatedly the SEL button to select the audio setting: VOLUME => BASS => TREBLE => BALANCE => FADER. Rotate the VOL knob to regulate each setting.

Note:

If turning off the power all the settings of each mode will be saved.

If turning off the ACC power all the settings will become as they were set on the plant as current.

If you don't adjust VOL knob within 3 seconds after selecting the desired setting, the unit will automatically return to the current mode being displayed.

Setting other characteristics

During FM mode, keep pressing SEL button for 2 seconds to enter another mode. Shortly and repeatedly press the SEL button to select the setting: DSP => IN VOL => STEREO => LOC => LOUD => CT => TA VOL => EON => PTY.

- a. DSP mode: select the following equalizer modes by rotating the VOL knob: NONE => CLASSIC => ROCK => POP => FLAT.
- b. IN VOL mode: rotate the VOL knob to define default volume level when the unit is on.
- c. STEREO: rotate the VOL knob to select: STEREO or MONO.
- d. LOC mode: select the radio broadcasting by rotating the VOL knob: LOCAL => DISTANCE.
- e. LOUD mode: rotate the VOL knob to select: LOUD ON or LOUD OFF.
- f. CT mode: set the time by rotating the VOL knob.
- g. TA VOL mode: adjust the TA volume level by rotating the VOL knob.
- h. EON mode: select EON ON or EON OFF by rotating the VOL knob.
- i. PTY mode: select PTY ON or PTY OFF by rotating the VOL knob.

Turning the sound off

Press the MUTE button to turn the sound off. Press it again to turn the sound on.

Mode setting

Press the MODE button repeatedly to select: TUNER => CD => SD/MMC (if the SD/ MMC card is inserted) => USB (if the USB device is inserted) => AUX.

If you select TUNER mode, press BAND button once or more to select: FM1, FM2, FM3, MW1, MW 2.

Display operations

1. Press the DIS/ REC button to show the following current tuning information and time in any play mode:
PS (Default) => PTY => Radio frequency => CT.
2. Press and hold for 2 seconds to enter the RECORD mode.

Setting the time

1. Enter the CT mode (by pressing the SEL button), rotate the VOL knob to set the time.
2. Rotate the VOL knob clockwise to set hour, rotate counter-clockwise to set minutes.

Digital tuner

Note: RDS (Radio Data System) service availability varies with areas. Please understand if RDS service is not available in you area, the following service is not available, either.

Band selection

Press PWR to power on, then press the MODE button to select TUNER.

Press BAND once or more to select: FM1, FM2, FM3, MW1, MW2.

Manual/ automatic tuning

Manual tuning: press T-UP or T-DN button and hold for 2 seconds to enter manual tuning. Press the T-UP/ T-DN buttons on the panel repeatedly to select a station upward or downward step by step.

Automatic tuning: Press the T-UP/ T-DN buttons, the automatic search will start. It will play when finds the station.

Programming tuner stations

You can store up to a total of 30 radio stations in the memory (18 FM, 12 MW), manually or automatically.

To store a station:

- Select a band (if needed)
- Select a station by T-UP/ T-DN buttons
- Hold a Preset button (1-6) which you want store the station for at least 2 seconds.

To recall a station:

- Select a band (if needed)
- Press a Preset button (1-6) briefly to recall the stored station

OR:

During radio mode press the T-UP/ T-DN buttons to select upward or downward stored stations.

AS/ PS function (Auto Store/ Preset Scan)

Preset scan: press AS/ PS button to scan all preset stations in the memories of the current band and stay on each memory stations for about 5 seconds. The memory location indicator on the LCD will flash during the process. To stop preset scan, press AS/ PS button again.

Auto memory store: press AS/ PS button for more than 2 seconds to enter auto store mode. The radio will automatically store 6 stations to the 6 preset memories of the current band. To stop auto store, press AS/ PS button again.

AF function (Alternative Frequencies)

AF mode: Press AF/REG button shortly to turn on or turn off the AF function. If the AF function is on the display will show “AF”. When AF switching mode is selected, but RDS information is not received yet the “AF” will be flashing.

The RDS program will be automatically searched and received. After turning on, if the RDS signal is weak or even no signal, the unit will search another frequency with this RDS program.

Default setting is ON.

Region mode: Press and hold AF/REG button for 2 seconds, the unit will be under REGION ON or REGION OFF mode:

- REGION ON: PI code will be searched during AF searching. The display will show “REGION ON”.
- REGION OFF: PI code and covered area will not be searched.

Default setting is OFF.

PTY (Program Type) function

1. Press PTY button on the RC or select the PTY ON mode by pressing the SEL button to activate the PTY function.
2. Then press the number buttons, you can select the music program style.
3. Press PTY the second time, then press the number buttons, you can select the language program style. When PTY is selected, the radio starts to search corresponding PTY information, and stops if the corresponding PTY information is detected.
If there are no keys entered for 2 seconds, previously selected PTY is searched. During 1 loop, if desired PTY is not found, NO PTY is flashed, then return to previous normal radio and PTY word disappears.
4. Press PTY button for the 3rd time to switch the PTY function off.

TA (Traffic Alarm) function

Press the TA/TP button shortly to select TA ON or TA OFF mode. In TA mode (LCD shows TA) traffic program will be automatically searched, until the program is received. If it's not the TP icon will appear on the display. If there is no RDS signal the TP icon will be blinking.

If the unit is in CD/ MMC/ SD/ USB mode, it will switch to radio mode temporarily.

CD/ SD/ MMC/ USB operations

Loading a disc

1. Turn the power on.
2. Press the OPEN button on the panel.
3. Insert the disc with the printed side facing upward into the slot.
4. Press EJECT button on the inner side to eject the disc.

Inserting the SD/ MMC card/ USB device

Insert the MMC/ SD card or USB device into MMC/ SD compartment or USB socket. Then the playing mode will be changed into MMC/ SD or USB mode automatically.

The first card/ USB device track playback will start.

Note: When MMC/ SD card and USB device are both inserted into their compartment or socket, the playing mode will be changed into the mode of the latter one.

USB/SD/MMC notes:

USB functions (flash memory type) MP3 music play.

1. SD/ MMC card support.
2. USB flash memory 2in1 (SD/ MMC) support.
3. FAT 12/ FAT 16/ FAT 32 is possible
 - FAT 12/16 (dir: 200 support, file:500 support),
 - FAT 32 (dir: 200 support, file:500 support).
4. Filename: 32 byte/ Dir name: 32byte.
5. Tag (id3tag ver2.0)
 - Title/ Artist/ Album: 32 byte support.
6. Multi card reader not support.
7. USB 2.0 support.

Note:

USB format supports 2.0.

Capacity: 8 MB ~ 1 GB.

SD cards brands: Cannon, Fuji film, Palm, Motorola, Microsoft, IBM, HP, Compaq, Sharp, Samsung, etc.

Capacity: 8 MB ~ 1 GB.

MMC cards brands: Ericsson, Nokia, Motorola, HP, Palm, Sanyo, Microsystems, etc.

Capacity: 16 MB ~ 1 GB.

Playing/ pausing

When the disc/ card/ USB device has been already loaded the playback of the first track starts automatically.

To ensure good system performance, wait until the unit finishes reading the disc information before proceeding.

Press the PAUSE button to pause the playback. Press again to resume the playback.

Playing the previous/ next track

1. During playback press the T-DN button on the panel or ◀◀ button on RC to play the previous track.
2. Press the T-UP button on the panel or ▶▶ button on RC to play the next track.
3. Press the 5 (-10), 6 (+10) buttons to play the 10 track down/ up.

Inserting the number of track

1. Press the number buttons to input the desired tracks.
2. Use the 5 (-10) button to go backward to the tenth track before the current track, for example: current track is 32. Press 5 (-10) to go to No.30 track.
Use the 6 (+10) button to go forward to the tenth track after the current track, for example: current track is 32. Press 6 (+10) to go to No. 40 track.
3. Use the T-DN or T-UP / ◀◀ or ▶▶ buttons to go to the previous/ next track by one.

Scanning forward and backward

Press and hold for 2 seconds the T-DN or T-UP buttons to fast the playing in backward or forward direction.

Note: During the disc playback when Fast/ Reverse Playback gets to the beginning of the playing another track, it resumes normal playback.

Repeat playback

Press the RPT button shortly to repeat the disc playback. Press and hold for 2 seconds to repeat current track.

Random playback

During disc playback, press the RDM button. Press and hold for 2 seconds to start random playback of the current folder.

Intro playback

You can play the beginning of every track for 10 seconds in sequence. Press the INT button shortly to start intro play of whole disc, press and hold for 2 seconds to start intro play of the current folder tracks.

Search function

In CD/ MMC/ SD/ USB mode, press AS/PS button to enter the Music file search menu. Press again to select the search mode: FILE NUMBER SEARCH => FILE NAME SEARCH => FOLDER SEARCH.

Audio CD supports the FILE NUMBER SEARCH only.

File number search

1. Press AS/PS button once to enter the initial searching mode. The display will show “001”. The last number (1) will be blinking.
2. Press the T-UP and T-DN buttons to input a desired number (0-9).
3. Press the SEL button to move to the next number.
4. After completing press the BAND button to start playback.

File name search

1. Press AS/PS button twice. The display will show “A**”. The first letter A will be blinking.
2. Press the T-UP and T-DN buttons to input a desired letter (A-Z) and number (0-9).
3. Press the SEL button to move to the next number.
4. After completing press the BAND button to start playback.

Note: if there is no such file the display will show “NO MATCH”.

Folder search

1. Press AS/PS button for the 3rd time. “ROOT” will be displayed.
2. Press the T-UP and T-DN buttons to move between the root folder and the sub-folders, and then press the SEL button to enter the folder.

File managing

Encoding (recording) function

Encoding (Recoding) function enables sound source from Tuner, CD, AUX-in to record directly to USB device or SD/MMC card.

Recoding at Tuner/ AUX-in mode

Press DIS/REC button for more than 2 seconds, the unit asks the location of recording device. Press DIS/REC once to select recording device in the sequence of SD/MMC => USB.

Press DIS/REC to cancel recording.

To start recording, press BAND button and blinking “R” is displayed on LCD.

Press BAND to stop recording.

Recording at Audio CD mode

Press DIS/REC for more than 2 seconds and the unit asks the location to record in the following sequence:

MMC ALL* => USB ALL* => MMC ONE* => USB ONE*.

* If SD/MMC socket or USB socket is loaded with memory media.

MMC ALL: Record all tracks from disc to SD/MMC card.

USB ALL: Record all tracks from disc to USB storage device.

MMC ONE: Record current track to SD/MMC card.

USB ONE: Record current track to USB storage device.

Press DIS/REC to select intended location.

To start recording, press the BAND button. Press again to stop recording.

To exit the mode, press the DIS/REC button for more than 2 seconds.

Note: During recording sound is heard and blinking “R” is displayed on LCD.

Recording at MP3 CD mode

Press DIS/REC for more than 2 seconds and the unit asks the location of copy device in the following sequence:
MMC => USB.

Press DIS/REC to select intended location.

To exit recording, press DIS/REC more than 2 seconds.

To start recording, press the BAND button. Press again to stop recording.

File delete

To delete music file in USB, SD/MMC mode, press DIS/REC for more than 2 seconds and LCD display shows “DELETE” menu after Encoding menu. Press BAND button to start deleting or press DIS/REC for more than 2 seconds to exit the mode.

The table below shows functions in each mode available:

Source Memory media	Tuner	CD	SD/MMC	USB	AUX-IN
Rec SD/MMC	0	0	x	x	0
Rec USB	0	0	x	x	0
Delete	x	x	0	0	x

MP3 overview

Notes on MP3:

MP3 is short for MPEG Audio Layer 3 and refers to an audio compression technology standard.

This product allows playback of MP3 files on CD-ROM, CD-R or CD-RW discs.

The unit can read MP3 files written in the format compliant with ISO 9660. However it does not support the MP3 data written by the method of packet write.

The unit can not read an MP3 file that has a file extension other than “.mp3”.

If you play a non- MP3 file that has the “.mp3” extension, you may hear some noise.

In this manual, we refer to what are called “MP3 file” and “folder” in PC terminology as “track” and “album”, respectively.

Maximum number of directory level is 8, including the root directory. Maximum number of files and folders per disc is 256.

The unit may not play tracks in the order of Track numbers.

The unit plays only the audio tracks if a disc contains both audio tracks and MP3 files.

When playing a disc of 8 kbps or “VBR”, the elapsed playing time in the display window will not be correct and also the intro play may not function properly. “VBR”: Variable Bit Rate.

Notes on creating your own CD-R or CD-RW containing MP3 files:

To enjoy high quality sound, we recommend converting to MP3 files with a sampling frequency of 44.1 kHz and a fixed bit rate of 128 kbps.

DO NOT store more than 256 MP3 files per disc.

For ISO 9660 - compliant format, the maximum allowable depth of nested folders is 8, including the root directory (folder).

When CD-R disc is used, playback is possible only for discs, which have been finalized.

Make sure that when MP3 CD-R or CD-RW is burned that it is formatted as a data disc and NOT as an audio disc.

You should not write non-MP3 files or unneeded folders along with MP3 files on the disc otherwise it takes a long time until the unit starts to play MP3 files.

With some CD-R or CD-RW media, data may not be properly written depending on its manufacturing quality. In this case, data may not be reproduced correctly. High quality CD-R or CD-RW disc is recommended.

Up to 16 characters are displayed for the name of an Album or a Track. ID3TAG version 1.x is required.

Note that the unit may not play Tracks in the order that you wrote them to the disc.

Anti-theft system

Remove the panel

1. Press PWR button to switch off the power of the unit.
2. Press OPEN button to flip down the panel.
3. Push the panel to the left and then pull it towards you.
4. Place the panel into the case and take it with you when you leave the car.

Remove the unit

1. Remove the panel and the trim plate.
2. Insert both T-Keys into hole on the front of the set until they lock.
3. Pull out the unit.

Handling discs

Dirty, scratched or warped discs may cause skip ping or noise.

Handle the disc only by the edges. To keep clean do not touch its surface.

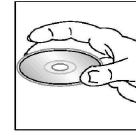
Discs should be stored in their cases after use to avoid scratches.

Do not expose discs to direct sunlight, high humidity, high temperature or dust.

Prolonged exposure to extreme temperature can warp the disc (such as leaving the discs in your car during summertime).

Do not stick or write anything on either side of disc. Sharp writing instruments, or the inks used in some felt-tip pens, may damage its surface.

DO NOT touch the unlabeled side. DO NOT attach any seal, label or data protection sheet to either side of a disc.



Cleaning

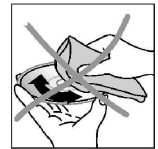
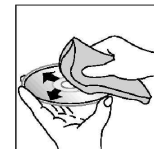
Cleaning the cabinet

Wipe with a soft cloth. If the cabinet is very dampen (not dropping wet) the cloth with a weak solution of soapy water, and then wipe clean.

Cleaning discs

Fingerprints should be carefully wiped from the surface of disc with a soft cloth. Unlike conventional records, compact discs have no grooves to collect dust and macroscopic dirt, so gently wiping them with a soft cloth should remove most panicles. Wipe in a straight motion from the center to the edge.

Never use thinner benzine, record cleaner or anti static spray on a compact disc. Such chemicals can damage its plastic surface.



Troubleshooting guide

Symptom	Cause	Solution
General No power	The car ignition is not on. The fuse is blown.	If the power supply is properly connected to the car accessory switch the ignition key to "ACC". Replace the fuse.
Disc Disc cannot be loaded.	Presence of disc inside the player.	Remove the disc in the player then put a new upward.
Disc cannot be read.	Inserting the disc in upside down. Compact disc is extremely dirty or defective. Temperature inside the car is too high.	Insert the compact disc with the label facing upward. Clean the disc or try to play a new one. Cool off until the ambient temperature returns to normal.
No sound	Volume is in minimum. Wiring is not properly connected.	Adjust volume to a desired level. Check wiring connection.
The operation keys do not work.	The built-in microcomputer is not operating properly due to noise. Front panel is not properly fix into its place.	Press the RESET button. Reinstall the front panel.
Sound skips.	The installation angle is more than 30 degrees. The disc is extremely dirty or defective.	Adjust the installation angle to less than 30 degrees. Clean the compact disc/try to play a new one.
The radio does not work, the radio station automatic selection does not work.	The antenna cable is not connected the signals are too weak.	Insert the antenna cable firmly select a station manually.

Specification

General	
Power supply:	11-16 V DC
Current consumption:	max. 10 A
Maximum power output:	50 W x 4 channels
Dimensions (L x W x H):	178 x 175 x 50 mm
Working temperature range:	-10°C - +60°C
FM Stereo Radio	
Frequency range:	87.5 - 108.0 MHz
Usable sensitivity:	30 uV
Preset memory stations:	18
MW section	
Frequency range:	522 kHz - 1620 kHz
Preset memory stations:	12
Audio specification	
Maximum output:	2 V _{rms} (+/- 3 dB)
Frequency response:	20 Hz - 20 KHz
S/N ratio(A-vtd):	60 dB
DSP sound effect:	Classic, Rock, Pop, Flat
Line out	
Output:	CD max 2000 mV

Specifications are subject to change without notice. Mass and dimension are approximate.

Уважаемый покупатель!

Благодарим Вас за покупку нашего изделия. Для обеспечения безопасности рекомендуется тщательно изучить настоящее руководство перед подключением, эксплуатацией и/или регулировкой изделия, и сохраняйте руководство для использования в будущем.

Содержание

Содержание.....	32
Меры предосторожности.....	33
Установка/ подключение.....	34
Органы управления	38
Основные операции.....	45
Цифровой тюнер.....	48
Воспроизведение файлов с CD/ SD/ MMC/ USB.....	51
Управление файлами.....	55
Обзор MP3	57
Система против кражи	59
Обращение с дисками.....	60
Чистка и уход.....	61
Руководство по устранению неисправностей.....	62
Технические характеристики	63

Меры предосторожности

Использование данного устройства при температуре ниже -10°C может привести к поломке. **ПЕРЕД ИСПОЛЬЗОВАНИЕМ ПРЕДВАРИТЕЛЬНО ПРОГРЕЙТЕ САЛОН АВТОМОБИЛЯ ДО РЕКОМЕНДОВАННОЙ ТЕМПЕРАТУРЫ!**

Тщательно изучите настоящую инструкцию, чтобы ознакомиться с высококачественной аудиосистемой.

При установке и подключении изделия отключите отрицательную клемму аккумулятора автомобиля. При замене предохранителя, убедитесь, что вы устанавливаете предохранитель с тем же номиналом. Используя предохранитель с повышенным значением тока, можно причинить значительные повреждения изделию.

Не пытайтесь разбирать изделие. Лазерные лучи, исходящие из блока оптической головки считывания информации с компакт-диска, опасны для глаз.

Убедитесь, что шпильки или другие посторонние предметы не попали внутрь изделия. Они могут вызвать сбой в работе или стать причиной опасности, такой, как поражение электрическим током или лазерным лучом.

Если вы ставите автомобиль на стоянку на длительное время в жаркое или холодное время года, подождите, пока температура в автомобиле не станет нормальной, перед тем как включать изделие.

НЕ открывайте крышки и не проводите ремонт самостоятельно. Обратитесь к дилеру или квалифицированному персоналу

Убедитесь, вы отключаете источник питания и антенну, если вы не будете пользоваться системой в течение длительного времени или во время грозы.

Убедитесь, что вы отключаете источник питания, если обнаружена неправильная работа системы, система издает необычные звуки, запах, выделяет дым или внутрь ее попала жидкость. Проведите квалифицированный технический осмотр системы.

Прибор разработан так, чтобы отрицательный вывод аккумулятора был подключен к корпусу транспортного средства. Пожалуйста, убедитесь в этом перед установкой.

Не позволяйте проводам динамиков касаться друг друга при включении прибора. В противном случае, может быть перегружен или выйти из строя усилитель питания.

Не устанавливайте съемную панель перед подключением кабеля.

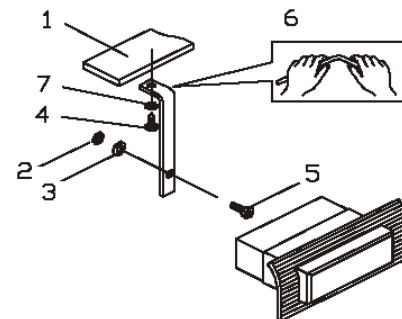
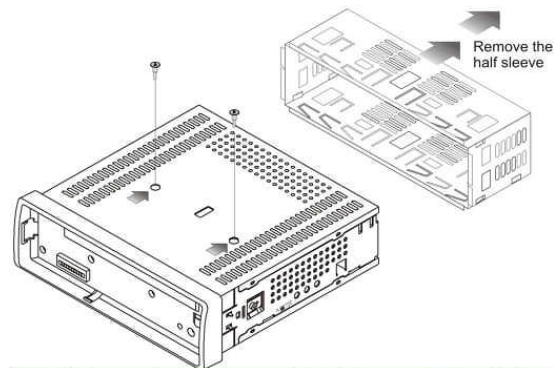
Установка/ подключение

Внимание: ПЕРЕД ПОДКЛЮЧЕНИЕМ НЕОБХОДИМО УДАЛИТЬ ДВА CD ДЕРЖАТЕЛЯ ИЗ ВЕРХНЕЙ ЧАСТИ УСТРОЙСТВА.

Первый вариант установки

После установки кожуха авто магнитолы в приборную панель автомобиля выберите на кожухе те металлические язычки, которые соответствуют толщине приборной панели, и отогните их, чтобы зафиксировать кожух на месте.

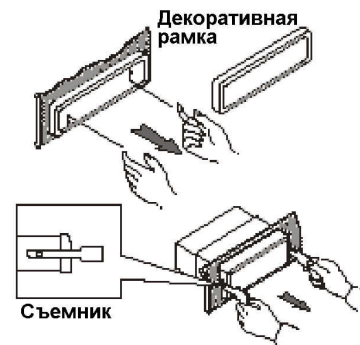
1. Приборная панель автомобиля
2. Гайка (5 мм)
3. Пружинная шайба
4. Винт (5 x 25 мм)
5. Винт
6. Металлическая планка
7. Плоская шайба



Снятие магнитолы

Вставьте пальцы в выемки на передней стороне рамки и вытяните рамку на себя. (При установке декоративной рамки на место направьте сторону с выемками вниз и установите рамку.)

Вставьте съемники, входящие в комплект магнитолы, в пазы на обеих сторонах устройства, как показано на рисунке, чтобы они зафиксировались со щелчком. Для того, чтобы вынуть магнитолу из приборной панели автомобиля, потяните за съемники на себя.

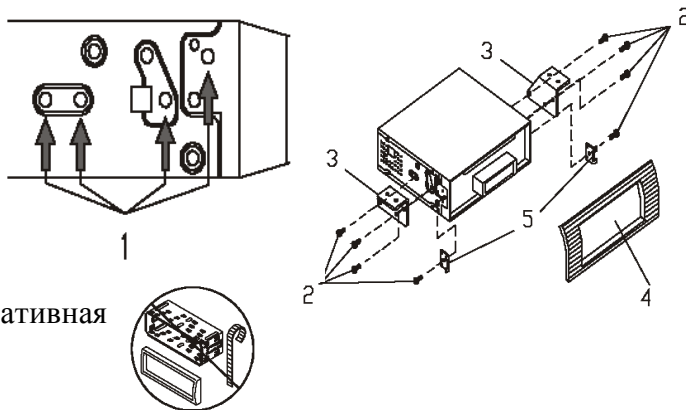


Второй вариант установки

Данный вариант установки предусматривает использование резьбовых отверстий, которые находятся на боковых панелях магнитолы.

Закрепите магнитолу на крепежных кронштейнах штатного радиоприемника.

1. Выберите положение кронштейнов, при котором будут совмещены резьбовые отверстия на кронштейнах и резьбовые соединения на корпусе магнитолы. Закрепите кронштейны с обеих сторон магнитолы не менее чем в двух местах. Для этого используйте либо крепежные винты (5 x 8 мм), либо винты с потайной головкой (4 x 8 мм), в зависимости от типа резьбовых отверстий на кронштейне.
2. Винт.
3. Крепежные кронштейны штатного радиоприемника.
4. Приборная панель или консоль автомобиля.
5. Скоба (необходимо удалить).



Примечание:

При установке магнитолы по второму методу кожух, декоративная внешняя рамка и металлическая планка не используются.

Съемная панель

Снятие панели

1. Нажмите на кнопку OPEN на панели. Панель опустится вниз (рис. 1).
2. Сдвиньте панель вправо и вытяните на себя (рис. 2).

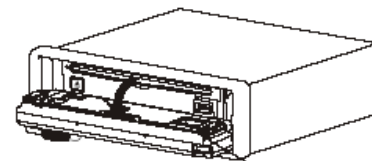


Рис. 1

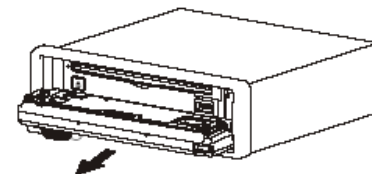


Рис. 2

Подсоединение съемной панели

1. Держите панель так, чтобы ее лицевая сторона была направлена на Вас, и установите левую сторону кронштейна панели (рис.3).
2. Нажмите на правую сторону панели, чтобы она защелкнулась (рис. 4).
3. Проверьте, что панель закреплена. Сделайте это сразу же, а не перед началом работы.

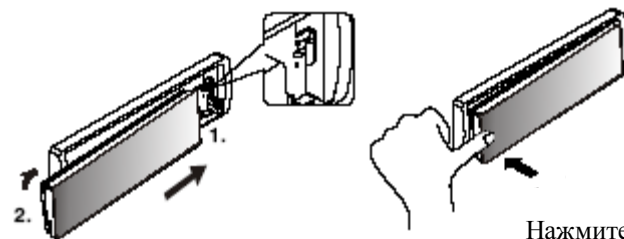


Рис. 3

Рис. 4

Внимание:

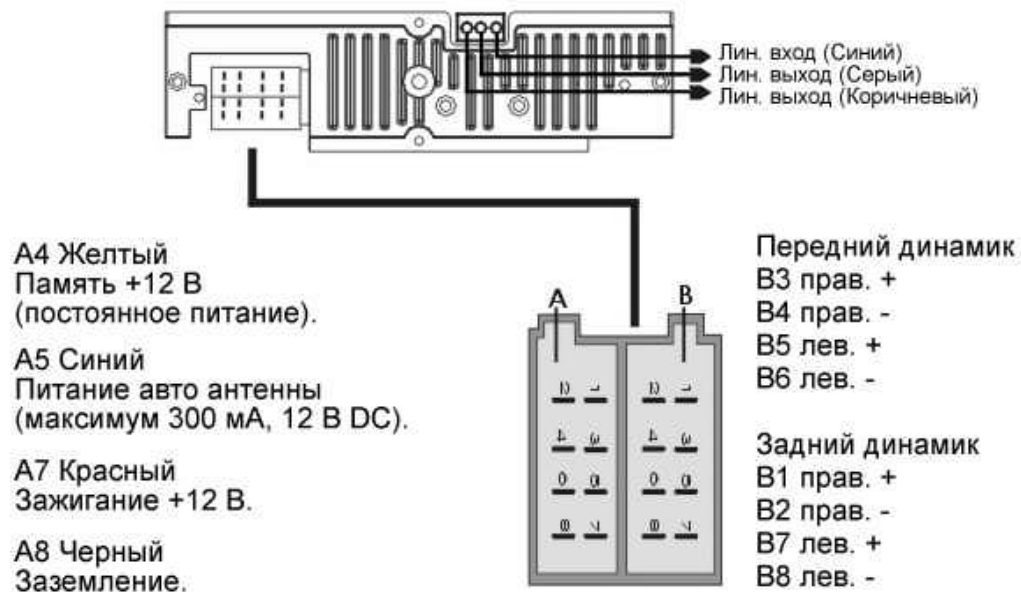
НЕ устанавливайте съемную панель правой стороной. Это может повредить ее.

Панель может повредиться из-за внешних факторов: тряски, ударов. После снятия ее с устройства держите панель в защитном футляре и старайтесь не ронять и не наносить физических повреждений.

Очень важным элементом является коннектор на задней части панели. Не нажимайте на нее ногтями, ручками, отвертками.

Если панель загрязнилась или запылилась, протрите ее сухой чистой тканью. Для чистки разъема в задней части панели используйте тампон, смоченный изопропиловым спиртом.

Схема электрических соединений

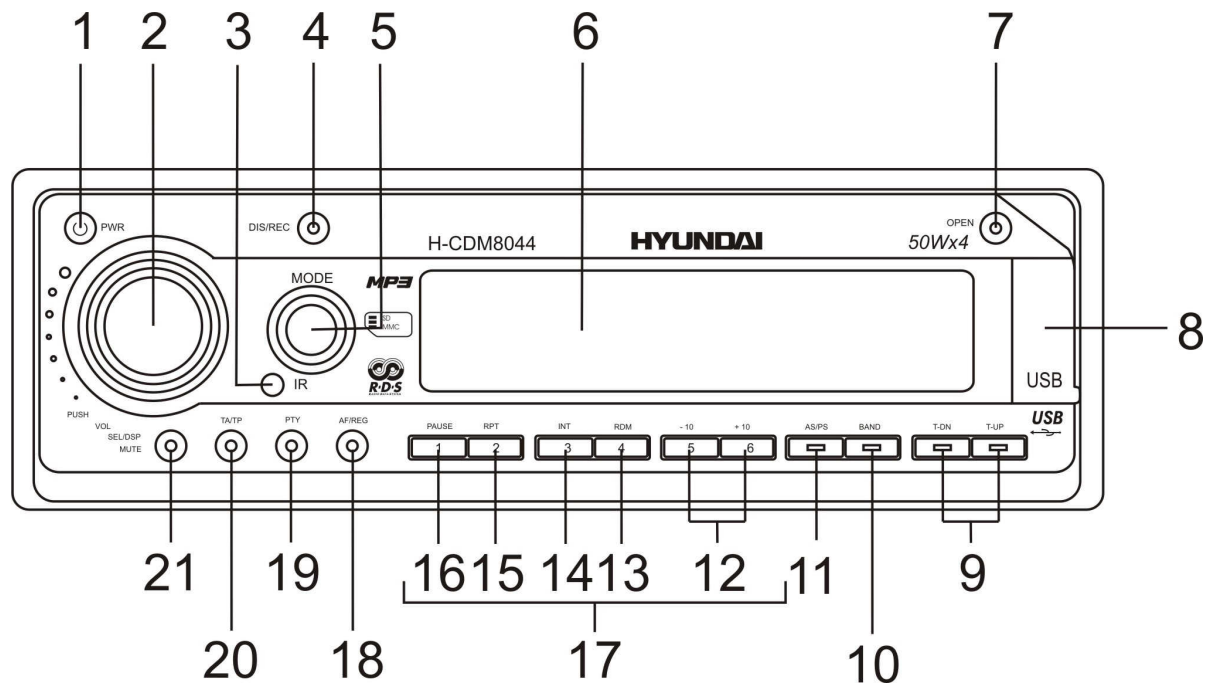


Внимание: Не меняйте соединение красного и желтого проводов!!!

Для некоторых моделей необходимо будет изменить соединение проводов питания. Перед установкой свяжитесь с Вашим региональным дилером.

Органы управления

Передняя панель



1. Кнопка PWR

Нажмите на кнопку PWR, чтобы включить питание устройства. Нажимайте на кнопку еще раз, чтобы выключить его.

2. Регулятор громкости VOL/ Кнопка SEL

Вращайте регулятор громкости по часовой стрелке, чтобы увеличить уровень громкости, вращайте против часовой стрелки, чтобы уменьшить уровень громкости.

Нажмите на него (кнопка SEL), чтобы открыть меню настроек аудио. Нажимайте на кнопку, чтобы

выбрать настройки: VOLUME => BASS => TREBLE => BALANCE => FADER.

Нажмите на кнопку и удерживайте 2 секунды, чтобы войти в режим настроек. Нажимайте на кнопку SEL, чтобы выбрать настройку: DSP => IN VOL => STEREO => LOC => LOUD => CT => TA VOL => EON => PTY.

Вращайте регулятор громкости, чтобы отрегулировать настройку.

3. ИК сенсор.

4. Кнопка DIS/REC

Нажмите на кнопку, чтобы отобразить на дисплее текущий режим и время. Нажмите и удерживайте в течение 2 секунд, чтобы войти в режим Записи.

5. Кнопка MODE

Нажимайте на кнопку, чтобы выбрать режим: TUNER (Радио) => CD (Диск) => SD/MMC (карта памяти) => USB => AUX.

6. Жидкокристаллический дисплей.

7. Кнопка OPEN

Нажмите на кнопку, чтобы открыть панель.

8. Разъем USB

9. Кнопки T-UP/ T-DN

Нажимайте на кнопки для ручного или автоматического поиска радиостанций.

10. Кнопка BAND

Нажмите кнопку BAND для установки диапазона радиоприемника в режиме TUNER.

Используйте эту кнопку как кнопку ENTER: для активации функции Поиска, чтобы начать воспроизведения после завершения поиска, чтобы начать/ остановить запись. Не используется для удаления файлов.

11. Кнопка AS/ PS

Во время прослушивания радио нажмите на эту кнопку для сканирования предварительно установленных станций 1 – 6 в течение 5 секунд каждую. Нажмите и удерживайте в течение 2 секунд,

- чтобы включить функцию авто сохранения станций.
При помощи этой кнопки выберите функцию Поиска.
12. Кнопки с цифрами +10, -10
Используйте эти кнопки для прокрутки на 10 треков вперед/ назад.
 13. Кнопка RDM
Нажмите на эту кнопку, чтобы начать случайное воспроизведение треков.
 14. Кнопка INT (воспроизведение первых 10 секунд треков)
Нажмите на эту кнопку, чтобы включить функцию Intro. Только первые 10 секунд каждого трека будут воспроизводиться.
 15. Кнопка RPT
Используйте эту кнопку для повторного воспроизведения текущего трека.
 16. Кнопка PAUSE
Нажмите на эту кнопку, чтобы поставить воспроизведение на паузу (нажмите еще раз, чтобы продолжить воспроизведение).
 17. Кнопки предварительной установки радио станций [1-6]
 18. Кнопка AF/REG
Нажмите на кнопку, чтобы войти в режим AF (альтернативные частоты).
Нажмите и удерживайте в течение 2 секунд, чтобы войти в режим AF (региональный режим).
 19. КнопкаPTY
Нажмите на кнопку, чтобы включить функциюPTY.
 20. Кнопка TA/TP
Нажмите на кнопку, чтобы включить функцию TA (дорожных объявлений).
 21. Кнопка MUTE
Нажмите на кнопку, чтобы выключить звук. Нажмите снова, чтобы вернуть звук на прежний уровень.

Пульт управления

1. Кнопка DIS/REC

Нажмите на кнопку, чтобы отобразить на дисплее текущий режим и время. Нажмите и удерживайте в течение 2 секунд, чтобы войти в режим Записи.

2. Кнопка MODE

Нажмите на кнопку, чтобы выбрать режим: TUNER (Радио) => CD (Диск) => SD/MMC (карта памяти) => USB => AUX.

3. Кнопка MUTE

Нажмите на кнопку, чтобы выключить звук. Нажмите снова, чтобы вернуть звук на прежний уровень.

4. Кнопки предварительной установки радио станций [1-6];

Кнопка 1: кнопка PAUSE;

Кнопка 2: кнопка RPT;

Кнопка 3: кнопка INT;

Кнопка 4: кнопка RDM;

Кнопки 5, 6: кнопки +/-10.

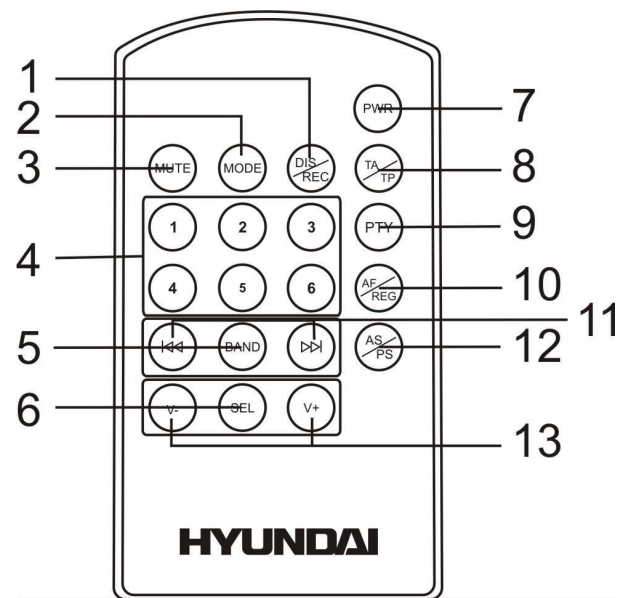
5. Кнопка BAND

Нажмите кнопку BAND для установки диапазона радиоприемника в режиме TUNER.

Используйте эту кнопку как кнопку ENTER: для активации функции Поиска, чтобы начать воспроизведения после завершения поиска, чтобы начать/ остановить запись. Не используется для удаления файлов.

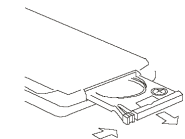
6. Кнопка SEL

Нажмите на кнопку, чтобы открыть меню настроек аудио. Нажимайте на кнопку, чтобы выбрать настройки: VOLUME => BASS => TREBLE => BALANCE => FADER.

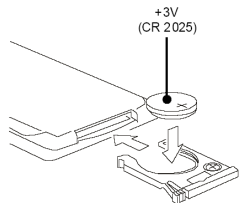


7. Кнопка PWR
Нажмите на кнопку PWR, чтобы включить питание устройства. Нажимайте на кнопку еще раз, чтобы выключить его.
8. Кнопка TA/TP
Нажмите на кнопку, чтобы включить функцию TA (дорожных объявлений).
9. КнопкаPTY
Нажмите на кнопку, чтобы включить функциюPTY.
10. Кнопка AF/REG
Нажмите на кнопку, чтобы войти в режим AF (альтернативные частоты).
Нажмите и удерживайте в течение 2 секунд, чтобы войти в режим AF (региональный режим).
11. Кнопки ПРЕДЫДУЩИЙ ◀◀/ СЛЕДУЮЩИЙ ▶▶
Нажимайте на кнопки для перехода к началу следующего или предыдущего трека; ускоренного просмотра вперед или назад.
12. Кнопка AS/ PS
Во время прослушивания радио нажмите на эту кнопку для сканирования предварительно установленных станций 1 – 6 в течение 5 секунд каждую. Нажмите и удерживайте в течение 2 секунд, чтобы включить функцию авто сохранения станций.
13. Кнопки V +/-
Нажимайте на кнопку, чтобы отрегулировать уровень громкости.

Замена батарей в пульте управления:



1. Откройте отсек для батарей в направлении, указанном стрелкой.



2. Замените старую батарею на новую (CR 2025 3V), соблюдая полярность.

3. Закройте отсек для батарей.

Примечание:

Не позволяйте детям играть с батареями.

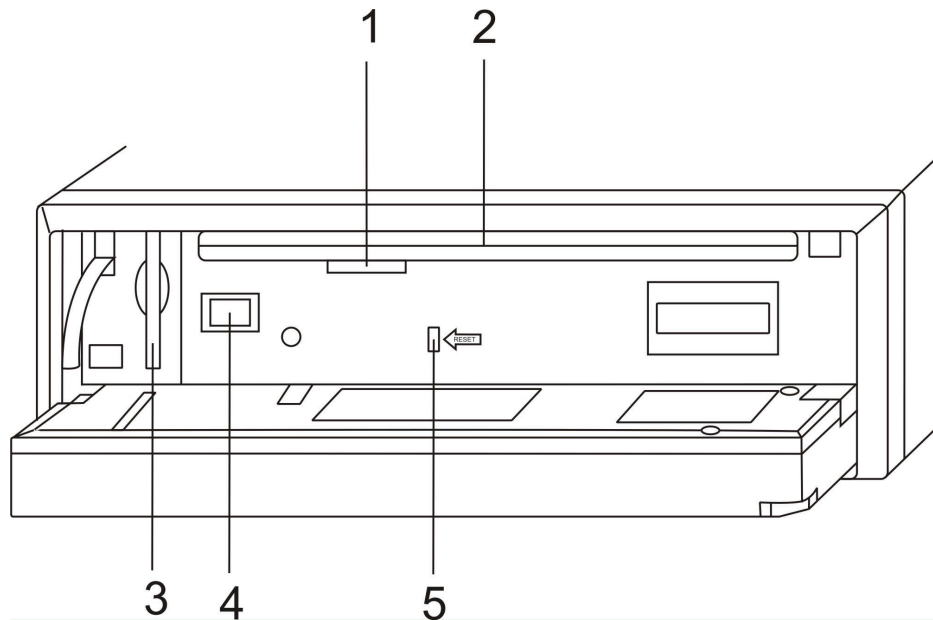
Неправильное использование батарей может стать причиной перегрева или взрыва, что в свою очередь ведет к пожару.

Утечка батарей может сделать причиной повреждения пульта управления (Срок работы батарей – 6 месяцев при эксплуатации в обычных условиях при комнатной температуре).

Не закорачивайте батареи. Не бросайте батареи в огонь.

Обратная сторона передней панели

Нажмите на кнопку OPEN чтобы откинуть панель и нажмите EJECT чтобы вынуть диск.



1. Индикатор питания панели;
2. Слот для диска;
3. Разъем для SD/MMC карты;
4. Кнопка EJECT;
5. Кнопка RESET.

Внимание: При нажатии на кнопку RESET все настройки и станции будут удалены из памяти устройства. Когда Вы опускаете панель, индикатор статуса панели засветится, при удалении панели индикатор начнет мигать.

Основные операции

Кнопка RESET (сброс)

Нажмите на панели на кнопку OPEN. Панель откроется. Нажмите на кнопку сброса RESET, расположенную за передней панели.

Эта мера необходима в следующих ситуациях: исходная установка устройства после подключения, никакие кнопки не действуют, символы ошибок появляются на дисплее.

Кнопка включения

Нажмите PWR, чтобы включить устройство.

Нажмите на кнопку еще раз, чтобы выключить питание.

Внимание: Когда Вы выключаете систему или зажигание автомобиля, громкость звука и радио настройки будут сохранена в памяти устройства, и при включении установки вернуться к сохраненным значениям.

Кнопки регулирования звука

Регулировка громкости

Поворачивайте регулятор громкости на панели или нажимайте на кнопки V +/- на пульте ДУ, чтобы отрегулировать громкость.

Регулировка настроек аудио

Нажимайте на кнопку SEL (регулятор громкости), чтобы выбрать одну из настроек аудио: VOLUME (громкость) => BASS (низкие частоты) => TREBLE (высокие частоты) => BALANCE (баланс левые/ правые динамики) => FADER (баланс задние/ передние динамики).

Внимание:

При выключении устройства все настройки будут сохранены.

При отключения устройства от сети все настройки вернуться к заводским.

Если при выборе какой-либо настройки Вы в течение 3 секунд ее не регулируете, устройство вернется к текущему режиму, отображаемому на дисплее.

Регулировка других настроек

Во время прослушивания радио нажмите и удерживайте в течение 2 секунд кнопку SEL, чтобы войти в режим других настроек. Нажимайте на кнопку SEL (регулятор громкости), чтобы выбрать один из режимов: DSP => IN VOL => STEREO => LOC => LOUD => CT => TA VOL => EON => PTY.

а. Режим DSP

Вращайте регулятор громкости, чтобы выбрать одну из настроек эквалайзера: NONE => CLASSIC => ROCK => POP => FLAT.

б. Режим IN VOL

Когда питание устройства включено, установите уровень громкости по умолчанию.

в. Режим STEREO

Вращайте регулятор громкости, чтобы выбрать режим: STEREO или MONO.

г. Режим LOC

Вращайте регулятор громкости, чтобы выбрать режим приема радио сигнала: LOCAL (местный) => DISTANCE (удаленный).

д. Режим LOUD

Вращайте регулятор громкости, чтобы выбрать режим LOUD ON (вкл.) => LOUD OFF (выкл.)

е. Режим CT

Вращайте регулятор громкости, чтобы установить время: по часовой стрелке – часы, против часовой стрелки – минуты.

ж. Режим TA VOL

Вращайте регулятор громкости, чтобы установить громкость для функции TA.

з. Режим EON

Вращайте регулятор громкости, чтобы выбрать режим приема расширенного радио сигнала: EON ON (вкл.) => EON OFF (выкл.) По умолчанию установлен EON ON (вкл.)

и. РежимPTY

Вращайте регулятор громкости, чтобы выбрать режимPTY ON (вкл.) => PTY OFF (выкл.)

Выключение звука

Нажмите на кнопку MUTE, чтобы выключить звук. Нажмите на кнопку еще раз, чтобы включить звук.

Выбор режима работы

Нажимайте на кнопку MODE, чтобы выбрать режим работы устройства: TUNER (радио) => CD (диск) => SD/MMC (когда SD/MMC карта подключена к магнитоле) => USB (когда USB устройство подключено к магнитоле) => AUX.

При выборе режима радио TUNER, нажимайте на кнопку BAND, чтобы выбрать диапазон: FM1, FM2, FM3, MW1, MW2.

Операции с дисплеем

1. Нажимайте на кнопку DIS/REC, чтобы независимо от режима работы на дисплее появилась следующая информация: Название программы => Тип принимаемой программы => Частота => Время => убрать информацию.
2. Нажмите на кнопку и удерживайте в течение 2 секунд, чтобы войти в режим Записи.

Установка времени

1. Нажимайте на кнопку SEL, чтобы войти в режим СТ.
2. Вращайте регулятор громкости по часовой стрелке, чтобы настроить часы, против часовой стрелки – чтобы настроить минуты.

Цифровой тюнер

Внимание: Сервис RDS (Система радио данных) доступен не во всех регионах. Имейте в виду, что если услуга RDS не доступна в Вашем регионе, то данная функция не будет работать.

Выбор диапазона

Нажмите на кнопку PWR, чтобы включить устройство. Нажмите на кнопку MODE, чтобы выбрать режим радио - TUNER.

Нажимайте на кнопку BAND, чтобы выбрать диапазон: FM 1, FM 2, FM 3, MW 1, MW 2.

Ручной/ автоматический поиск радиостанций

Ручной поиск: Нажмите и удерживайте кнопку T-UP или T-DN, чтобы войти в режим ручного поиска. Нажимайте на кнопку T-UP/ T-DN, чтобы вручную увеличить или уменьшить частоту.

Автоматический поиск: Нажмите на кнопку T-UP или T-DN, чтобы начать автоматический поиск. Поиск прекратится при приеме первой станции с сильным сигналом, при этом начнется ее воспроизведение. Нажмите еще раз, чтобы найти следующую станцию.

Программирование радио станций

Вы можете хранить и воспроизводить 6 радио станций в каждом из 5 поддиапазонов.

Чтобы сохранить станцию:

- Выберите диапазон (если нужно).
- Выберите станцию при помощи кнопок T-UP/ T-DN.
- Нажмите и удерживайте в течение двух секунд кнопку с номером 1~6, под которым Вы бы хотели сохранить эту станцию.

Чтобы вызвать станцию:

- Выберите диапазон (если нужно).
- Нажмите на кнопку с номером нужной сохраненной станции 1~6.

ИЛИ:

Во время прослушивания радио нажмите на кнопку T-UP/ T-DN, чтобы переходить от одной сохраненной станции к другой вперед или назад.

Функция автоматического сохранения станций в памяти

Прослушивание предустановок: Нажмите на кнопку AS/PS, чтобы прослушать все сохраненные в текущем диапазоне станции в течение 5 секунд. Во время прослушивания номер каждой станции будет мигать на дисплее. Чтобы остановить прослушивание, снова нажмите на кнопку AS/PS.

Автоматическое сохранение: Нажмите и удерживайте AS/PS более 2 секунд, 6 самых сильных доступных станций будут автоматически сохранены в памяти кнопок 1~6. Чтобы остановить автоматическое сохранение, снова нажмите на кнопку AS/PS.

Функция AF (Альтернативные частоты)

Нажмите на кнопку AF/REG, чтобы режим AF стал активным. На дисплее появится надпись AF.

В активном режиме AF радио постоянно проверяет силу сигнала альтернативных частот, на которых может транслироваться RDS программа. Во время поиска AF будет мигать. Если сигнал слабый или исчезает, тюнер будет автоматически искать другую частоту с этой программой.

По умолчанию режим ON (вкл.)

Нажмите и удерживайте кнопку AF, чтобы выбрать режим REGION ON или REGION OFF.

- REGION ON (Включенный региональный режим):

Переключение AF или поиск информационных программ поменяются для станций с тем же кодом идентификации, что и текущая. На дисплее будет гореть надпись REGION ON.

- REGION OFF (Выключенный региональный режим):

Региональный код формата информационной программы при переключении AF или поиске информационных программ игнорируется.

ФункцияPTY (Тип программы)

FM-станции, поддерживающие RDS, передают идентифицирующий сигнал типа программы.

1. Нажмите на кнопкуPTY один раз или выберите режимPTY ON при помощи регулятора громкости и кнопкиSEL, чтобы активировать режимPTY.
2. При помощи 6 кнопок предварительной установки выберите другой код музыкальной группы.
3. Нажмите на кнопкуPTY второй раз, затем при помощи 6 кнопок предварительной установки выберите другой код голосовой группы.

При включенной функцииPTY приемник начинает поиск соответствующего типа программы. И останавливается, когда программа найдена.

Если в течение 2 секунд ни одна программа не была выбрана, приемник настроится на предыдущую программу. Если за один цикл нужный тип программы не найден, на экране отобразится надписьNOPTY, приемник вернется к обычному приему радио, NOPTY погаснет.

4. Нажмите на кнопкуPTY еще раз, чтобы выключить функциюPTY.

ФункцияТА (поиск программ о дорожном движении)

При быстром нажатии на кнопкуТА/ТР, режимТА включается (ON) или выключается (OFF).

При включенном режиме на дисплее появляется надписьТА. Начнется автоматический поиск программ дорожного движения. Если программа о дорожном движении найдена не будет, на дисплее появится ТР. Если сигнал RDS программы не поступает, надписьТР будет мигать.

Воспроизведение файлов с CD/ SD/ MMC/ USB

Загрузка диска

1. Включите питание устройства.
2. Нажмите на кнопку OPEN на панели, чтобы открыть ее.
3. Установите диск в слот маркированной стороной вверх.
4. Нажмите на кнопку EJECT, чтобы вынуть диск.

Установка устройств SD/ MMC/ USB

Установите SD/MMC карту или USB устройство в соответствующий слот. Магнитола автоматически перейдет в соответствующий режим.

Начнется воспроизведение первого трека установленного устройства.

Внимание: Если было установлено сразу два устройства, то магнитола перейдет в режим того, которое было установлено последним.

Примечания по USB/ SD/ MMC разъемам:

Воспроизведение MP3 файлов с USB карт (флеш-память).

1. Поддержка карт памяти SD/ MMC.
2. Поддержка USB флеш-карты 2в1 (SD/ MMC).
3. Поддержка FAT 12/ FAT 16/ FAT 32
 - FAT 12/ 16 (поддержка 200 папок, 500 файлов),
 - FAT 32 (поддержка 200 папок, 500 файлов).
4. Имя файла: 32 байта/ имя папки: 32 байта.
5. Тэг (id3tag ver 2.0)
 - Имя/ Исполнитель/ Альбом: поддержка 32 байтов.
6. Многофункциональный карт-ридер не поддерживается.

7. Поддержка формата USB 2.0.

Примечание:

USB: Поддержка формата USB 2.0. Емкость: 8 Мб ~ 1 Гб.

SD: Поддержка брендов SD карт памяти: Cannon, Fuji film, Palm, Motorola, Microsoft, IBM, HP, Compaq, Sharp, Samsung, и т. д. Емкость: 8 Мб ~ 1 Гб.

MMC: Поддержка брендов MMC карт памяти : Ericsson, Nokia, Motorola, HP, Palm, Sanyo, Microsystems, и т.д. Емкость: 16 Мб ~ 1 Гб.

Воспроизведение/ Пауза

Когда диск, карта SD/ MMC или USB в устройстве, начинается автоматическое воспроизведение первого трека на носителе. Чтобы обеспечить высокое качество воспроизведения, дождитесь, пока плеер закончит читать диск, а затем начинайте воспроизведение. Во время воспроизведения нажмите на кнопку PAUSE, режим паузы активируется. Нажмите на кнопку PAUSE еще раз, чтобы продолжить воспроизведение.

Переход к предыдущему или следующему треку

1. Нажмите во время воспроизведения на кнопку T-DN на панели или ◀◀ на пульте ДУ, чтобы начать воспроизведение предыдущего трека.
2. Нажмите во время воспроизведения на кнопку T-UP на панели или ▶▶ на пульте ДУ, воспроизведение начнется со следующего трека.
3. При помощи кнопок +/-10 переходите к следующему или предыдущему десятку.

Ввод номера трека

1. Используйте цифровые кнопки для ввода номера трека.
2. Для перехода к предыдущему десятку используйте кнопку 5 (-10). Например, если номер текущего трека 32, нажмите на кнопку 5 (-10), чтобы перейти к треку №30.

Для перехода к следующему десятку используйте кнопку 6 (+10). Например, если номер текущего трека 32, нажмите на кнопку 6 (+10), чтобы перейти к треку №40.

- Используйте кнопки T-DN или T-UP / ◀◀ или ▶▶, чтобы передвигаться на 1 трек назад или вперед.

Ускоренное воспроизведение вперед или назад

Во время воспроизведения нажмите на кнопки T-DN или T-UP, чтобы начать ускоренное воспроизведение назад или вперед.

Внимание: Во время воспроизведения дисков, когда ускоренное воспроизведение достигает начала следующего трека, возобновляется нормальный режим воспроизведения.

Повтор воспроизведения

Во время воспроизведения треков нажмите на кнопку RPT, чтобы начать повторное воспроизведение всех треков. Нажмите и удерживайте в течение 2 секунд, чтобы начать повторное воспроизведение текущего трека.

Случайное воспроизведение

Во время воспроизведения треков нажмите на кнопку RDM, чтобы начать случайное воспроизведение всех треков.

Функция Intro

Вы можете последовательно воспроизводить начало каждого трека в течение 10 секунд.

Во время воспроизведения треков нажмите на кнопку INT, чтобы начать воспроизведение всех треков.

Функция поиска

Во время воспроизведения треков с CD/ SD/ MMC/ USB носителя нажимайте на кнопку AS/PS, чтобы выбрать режим Поиска. Нажимайте на кнопку, чтобы выбрать один из режимов: FILE NUMBER SEARCH (поиск по номеру трека) => FILE NAME SEARCH (поиск по названию трека) => FOLDER SEARCH (поиск по директориям) => выйти из режима Поиска.

В режиме CD доступен только режим FILE NUMBER SEARCH (поиск по номеру трека).

Поиск по номеру трека (File number search)

1. Нажмите на кнопку AS/PS, чтобы активировать этот режим поиска. На дисплее появится «001». Последняя цифра будет мигать.
2. Нажимайте на кнопки T-UP и T-DN, чтобы выставить необходимую цифру (0-9).
3. Нажмите на кнопку SEL, чтобы перейти к следующей цифре.
4. После завершения нажмите на кнопку BAND, чтобы начать воспроизведение выбранного трека.

Поиск по названию трека (File name search)

1. Дважды нажмите на кнопку AS/PS, чтобы активировать этот режим поиска. На дисплее появится «A**». Первая буква будет мигать.
2. Нажимайте на кнопки T-UP и T-DN, чтобы выставить необходимую букву (A-Z) или цифру (0-9).
3. Нажмите на кнопку SEL, чтобы перейти к следующей букве.
4. После завершения нажмите на кнопку BAND, чтобы начать воспроизведение выбранного трека.

Поиск по директориям (Directory search)

1. Трижды нажмите на кнопку AS/PS, чтобы активировать этот режим поиска. На дисплее появится «ROOT».
2. Нажимайте на кнопки T-UP и T-DN, чтобы перемещаться между папками, затем – на кнопку SEL, чтобы войти в папку.

Управление файлами

Функция записи

Функция записи на установленное устройство SD/ MMC/ USB из следующих источников: Радио (TUNER), CD, AUX-in.

Запись в режиме Радио/ AUX-in

Нажмите на кнопку DIS/REC и удерживайте в течение 2 секунд. На дисплее появится надпись, куда будет происходить запись. Нажимайте на кнопку DIS/REC, чтобы выбрать устройство, куда будет происходить запись: SD/MMC => USB. Для отмены записи нажмите на кнопку DIS/REC.

Нажмите на кнопку BAND, чтобы начать запись. При этом на дисплее будет мигать «R».

Чтобы остановить запись, нажмите на кнопку BAND.

Запись в режиме Аудио CD

Нажмите на кнопку DIS/REC и удерживайте в течение 2 секунд. На дисплее появится надпись, куда будет происходить запись. Нажимайте на кнопку DIS/REC, чтобы выбрать устройство, куда будет происходить запись: MMC ALL* => USB ALL* => MMC ONE* => USB ONE*.

* Функция активна, когда SD/MMC карта или USB устройство подключены к магнитоле.

MMC ALL: Запись всех треков с диска на карту SD/MMC.

USB ALL: Запись всех треков с диска на устройство USB.

MMC ONE: Запись текущего трека с диска на карту SD/MMC.

USB ONE: Запись текущего трека с диска на устройство USB.

Нажимайте на кнопку DIS/REC, чтобы выбрать устройство для записи.

Чтобы начать запись, нажмите на кнопку BAND.

Нажмите еще раз, чтобы остановить запись.

Для отмены и выхода из этого режима нажмите на кнопку DIS/REC и удерживайте в течение 2 секунд.

Внимание: Во время записи звук не приглушается, и на дисплее светится «R».

Запись в режиме MP3 CD

Нажмите на кнопку DIS/REC и удерживайте в течение 2 секунд. На дисплее появится надпись, куда будет происходить запись. Нажимайте на кнопку DIS/REC, чтобы выбрать устройство, куда будет происходить запись: MMC => USB.

Для отмены и выхода из этого режима нажмите на кнопку DIS/REC и удерживайте в течение 2 секунд. Чтобы начать запись, нажмите на кнопку BAND. Нажмите еще раз, чтобы остановить запись.

Функция удаления

Чтобы удалить файл в режиме USB, SD/ MMC карты, нажмите на кнопку DIS/REC и удерживайте в течение 2 секунд. На дисплее после меню записи появится надпись «DELETE» (Удаление). Нажмите на кнопку BAND, чтобы удалить файл, или нажмите на кнопку DIS/REC и удерживайте в течение 2 секунд для отмены и выхода из этого режима.

Приведенная ниже таблица показывает наличие функции удаления файлов из различных источников:

Источник / Носитель	Tuner	CD	SD/MMC	USB	AUX-IN
Rec SD/MMC	0	0	x	x	0
Rec USB	0	0	x	x	0
Delete	x	x	0	0	x

Обзор MP3

Замечания по MP3:

MP3 это краткое обозначение аудио слоя MPEG 3 и относится к стандарту технологии сжатия звука. Данное изделие позволяет воспроизводить файлы MP3 на дисках CD-ROM, CD-R или CD-RW.

Изделие может считывать файлы MP3, записанные в формате, соответствующем ISO 9660. Однако оно не поддерживает данные MP3, записанные методом пакетной записи.

Изделие не может считывать файлы MP3, которые имеют расширение файла, отличающееся от “.mp3”.

Если вы воспроизводите не MP3 файл, который имеет расширение “.mp3”, вы можете слышать некоторые шумы.

В данном руководстве мы рассматриваем файлы, называемые “файлами MP3” и “папкой”, а в технологии PC “дорожкой” и “альбомом” соответственно.

Максимальное количество уровней директории равно 8, включая корневую директорию. Максимальное количество файлов и папок на диске 256.

Изделие может не воспроизводить дорожки в последовательном порядке.

Изделие воспроизводит только аудио треки, если диск содержит как аудио треки, так и файлы MP3.

При воспроизведении диска 8 килобит или VBR, истекшее время воспроизведения в окне дисплея будет неправильным, а также ознакомительное воспроизведение может не действовать надлежащим образом. VBR: Переменная скорость передачи битов.

Замечание по созданию собственных CD-R или CD-RW, содержащих файлы MP3:

Для получения высокого качества звука мы рекомендуем преобразовывать файлы MP3 с эталонной частотой 44,1 кГц и фиксированным битрейтом 128 Кбит/сек.

НЕ сохраняйте более 256 файлов MP3 на диске.

Для формата, совместимого с ISO 9660, максимально допустимая глубина вложенных папок равняется 8, включая корневую директорию (папку).

При использовании диска CD-R воспроизведение возможно только для дисков, которые были закончены.

Убедитесь, что при записи MP3 CD-R или CD-RW были отформатированы как диски данных, а НЕ как аудио диски.

Вы не должны записывать не-MP3 файлы или ненужные папки вместе с файлами MP3 на диск, в противном случае потребуется много времени, пока изделие начнет воспроизводить файлы MP3.

На некоторых CD-R или CD-RW данные могут не быть записаны надлежащим образом в зависимости от качества их производства. В этом случае данные могут быть воспроизведены не надлежащим образом. Рекомендуются диски CD-R или CD-RW высокого качества.

Имя альбома или композиции может содержать до 16 символов. Необходима версия 1.x ID3TAG.

Помните, что изделие может не воспроизводить треки в том порядке, в котором они записаны на диске.

Система против кражи

Снятие панели

1. Нажмите на кнопку PWR чтобы выключить питание устройства.
2. Нажмите на кнопку OPEN. Панель опустится вниз.
3. Сдвиньте панель вправо и вытяните на себя
4. Положите панель в специальный футляр и возьмите его с собой, когда будете покидать машину.

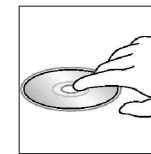
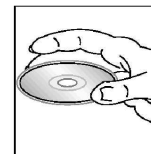
Съем изделия

1. Снимите панель.
2. Вставьте два Т-образных ключа в отверстие лицевой стороны, пока не услышите щелчок.
3. Выньте изделие.

Обращение с дисками

Грязные, поцарапанные или погнутые диски могут вызвать искажение звука или шумы

Держите диск только за края (как показано на рисунке). Чтобы обеспечить чистоту, не прикасайтесь к его поверхности.



Диски должны храниться в их чехлах после использования, чтобы не поцарапать их поверхность.

Не подвергайте диски действию прямого солнечного света, повышенной влажности, повышенным температурам или действию пыли.

Продолжительное влияние предельных температур может изогнуть диск (например, пребывание дисков в автомобиле в летнее время).

Не царапайте и не пишите что-либо на любой стороне диска. Острые пишущие инструменты или чернила, используемые в них, могут повредить поверхность диска.

НЕ ПРИКАСАЙТЕСЬ к стороне, не имеющей маркировки.

НЕ ПРИКРЕПЛЯЙТЕ какую-либо печать, этикетку или лист предохранения данных к любой стороне диска.

Чистка и уход

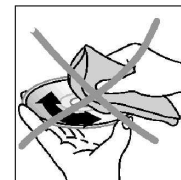
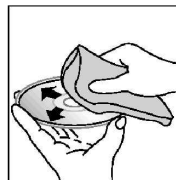
Чистка корпуса

Протирайте мягкой тканью. Если корпус очень загрязнен (не мочите его), используйте ткань, слегка смоченную мыльным раствором, и затем вытрите его сухой тканью.

Чистка дисков

Отпечатки пальцев должны быть тщательно стерты с поверхности диска мягкой тканью. В отличие от обычных пластинок, компакт-диски не имеют канавок для сбора пыли и микроскопических частиц грязи, поэтому осторожно вытирайте их мягкой тканью, чтобы убрать частицы грязи. Вытирайте прямолинейным движением от центра к краю.

Никогда не используйте растворитель, бензин, очиститель пластинок или антистатический аэрозоль для чистки дисков. Такие химические вещества могут повредить его пластиковые поверхности.



Руководство по устранению неисправностей

Неисправность	Причина	Решение
Нет питания	Зажигание машины не включено. Сгорел предохранитель.	Если источник питания подключен надлежащим образом к выключателю машины, установите ключ зажигания в положение “АСС”. Замените предохранитель.
Невозможно загрузить диск	В плеер установлен диск.	Удалите диск из плеера, затем установите новый.
Невозможно считать диск	Диск установлен верхней стороной вниз. Диск загрязнен или имеет дефект. Температура внутри машины очень высокая.	Установите компакт диск стороной с этикеткой вверх. Очистите диск или установите новый. Подождите, пока температура не станет нормальной.
Нет звука	Звук установлен на минимум. Кабель не подключен надлежащим образом.	Отрегулируйте звук до необходимого уровня. Проверьте подключение кабеля.
Не действуют функциональные ключи	Встроенный микрокомпьютер не работает надлежащим образом из-за шумов. Передняя панель не установлена на свое место.	Нажмите кнопку RESET. Повторно установите переднюю панель.
Звук пропадает	Угол установки более 30 градусов. Диск загрязнен или имеет дефект.	Отрегулируйте угол установки, установив его менее 30 градусов. Очистите диск или установите новый.
Радио не работает. Не работает автоматический выбор радиостанции	Антенный кабель не подключен. Сигналы слишком слабы.	Вставьте антенный кабель надежно. Выберите станцию вручную.

Технические характеристики

Общие	
Источник питания:	11-16 В
Потребляемый ток/Предохранитель:	Максимум 10 А
Максимальная выходная мощность:	50 Вт x 4 канала
Размеры (Д x Ш x В):	178 x 175 x 50 мм
Рабочий диапазон температур:	-10°C - +60°C
Сtereo FM радио	
Частотный диапазон:	87.5 - 108.0 МГц
Используемая чувствительность/ Промежуточная частота:	30 мкВ
Память цифрового тюнера	18 станций
MW радио	
Частотный диапазон:	522-1620 КГц
Память цифрового тюнера	12 станций
Аудио	
Максимальный уровень сигнала на выходе:	2 В RMS (+/-3 дБ)
Частотный диапазон:	20 Гц – 20 КГц
Уровень сигнал-шум (A-vtd):	60 дБ
DSP процессор	Classic, Rock, Pop, Flat
Линейный выход	CD макс. 2000 мВ

Технические характеристики могут быть изменены заводом-изготовителем без предварительного уведомления.
Указанные масса и геометрические размеры имеют приблизительные значения.